

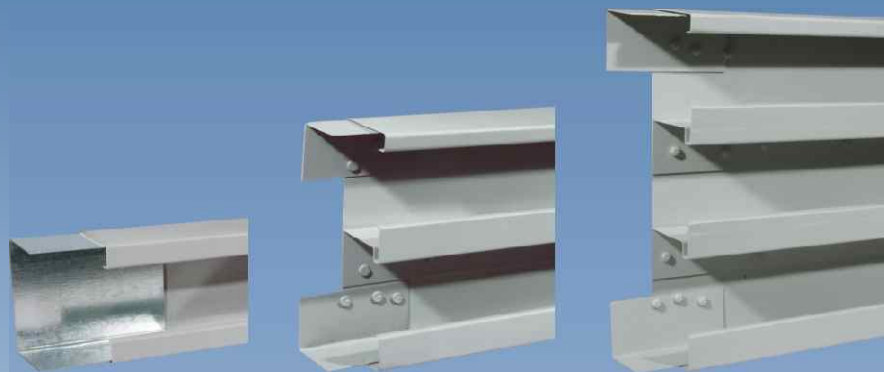
N8/1, P801 & P803 STEEL POWERSKIRTING

UNIQUE FEATURES:

- 3000mm standard length
- Aesthetic textured powder coating
- Covers supplied separately
- Rivet assembly (TOX) - no spot welding
- Galvanised steel - RUST PROOF!

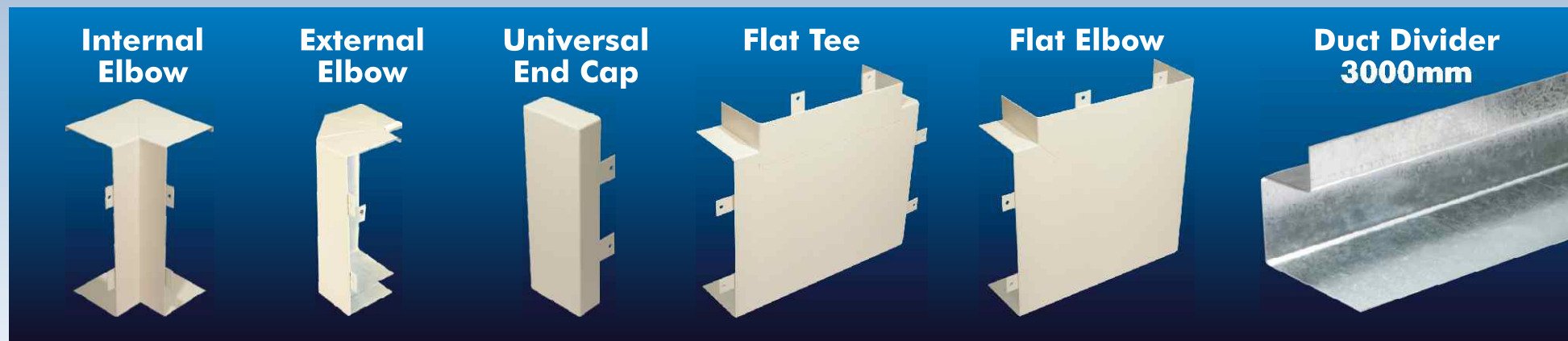
RUST FREE!
 Series 8 Powerskirting
 is manufactured from Z275
 galvanised steel, epoxy
 powder coated on visible
 surfaces only.

	Size
N8/1 Body	55 x 82,5 x 3000mm
N8/P801 Body	55 x 165 x 3000mm
N8/P803 Body	55 x 244 x 3000mm
N8/1 Cover	3000mm



N8/1 (Loose Splice) **N8/P801** (Fixed Splice) **N8/P803** (Fixed Splice)

Standard Accessories (Installed AFTER the wiring is complete)



**FIRST
 TECH**

INVESTING IN EXCELLENCE

Tel: (021) 531-1887